

ERGOPLUS 36



3 - 5 m
10' - 16,4'

1 m
3,28'
1.6 Kg
3,53 lb

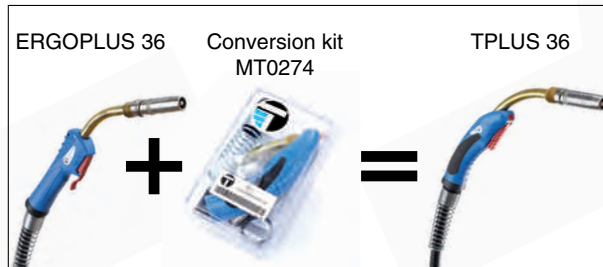
V peak

113

0.6 - 1.6 mm
.023" - 1/16"





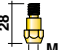

340A CO₂
320A Mix

LINER	CODE	↔	EURO
1.0 - 1.2 mm M8 standard	MA7443	3 m	EURO
	MA7444	4 m	EURO
	MA7445	5 m	EURO



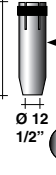
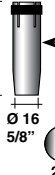

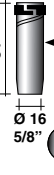
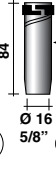

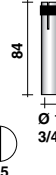
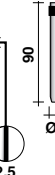
EN 60974-7



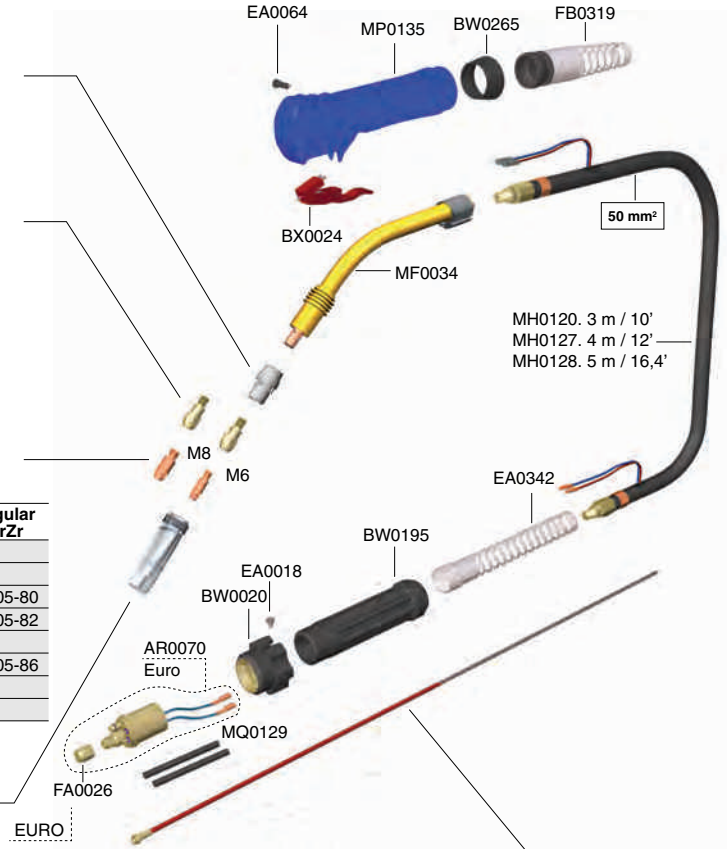
ME0017 (014.0261) plastic white	ME0041 (014.0021) plastic black	ME0517 (014.0023) ceramic	ME0417 -
compound high tech			
			
32.8	32.8	32.8	32.8
	MD0063-00 (142.0005)		MD0131-00 (142.0011)
M6	M8	M6	M8
	MD0064-00 (142.0020)		MD0132-00 (142.0024)

Ø mm	Ø in	Cu	Cu-Ni	Cu for Al	CuCrZr	Triangular Cu
0,6	.023	MD0009-06 (140.0005)	MD0009-36		MD0009-76	-
0,8	.030	MD0009-08 (140.0051)	MD0009-38	MD0009-58 (141.0001)	MD0009-78 (140.0054)	MD1009-08
0,9	.035	MD0009-09 (140.0169)				
1,0	.040	MD0009-10 (140.0242)	MD0009-40	MD0009-60 (141.0006)	MD0009-80 (140.0245)	MD1009-10
1,2	.045	MD0009-12 (140.0379)	MD0009-42	MD0009-62 (141.0010)	MD0009-82 (140.0382)	MD1009-12
1,4	.052	MD0009-14	-	MD0009-44	MD0009-84	-
1,6	1/16	MD0009-16 (140.0555)	MD0009-46	MD0009-66	-	MD0009-86

Ø mm	Ø in	Cu	Cu-Ni	Cu for Al	CuCrZr	Triangular Cu	Triangular CuCrZr
0,8	.030	MD0005-08 (140.0114)	MD0005-38	MD0005-58 (141.0003)	MD0005-78	-	
0,9	.035	MD0005-09	-	MD0005-59	-		
1,0	.040	MD0005-10 (140.0313)	MD0005-40	MD0005-60 (141.0008)	MD0005-80 (140.0316)	MD1005-10	MD1005-80
1,2	.045	MD0005-12 (140.0442)	MD0005-42	MD0005-62 (141.0015)	MD0005-82 (140.0445)	MD1005-12	MD1005-82
1,4	.052	MD0005-14	-	MD0005-44	MD0005-84	-	
1,6	1/16	MD0005-16 (140.0587)	MD0005-46	MD0005-66 (141.0022)	MD0005-86 (140.0590)	MD1005-16	MD1005-86
2,0	5/64	MD0005-20 (140.0653)		MD0005-70	-	MD0005-90	
2,4	3/32	MD0005-24 (140.0677)		MD0005-74	-	MD0005-94	

MC0026 (145.0126)	MC0027 (145.0078)	MC0440 (145.0078) light	MC0527 -	MC0540 light quick Release	MC0109 -	MC0028 (145.0045)	MC0110 (145.0172)
quick release							
							
84	84	84	84	84	84	84	90
Ø 12 1/2"	Ø 16 5/8"	Ø 16 5/8"	Ø 16 5/8"	Ø 16 5/8"	Ø 17	Ø 19 3/4"	Ø 20
2,5	2,5	2	2,5	2	2,5	2,5	2,5

STANDARD (REF.)



Wire	red color	
1,0 ± .12 .040" ± .045"		Steel
	3 m / 10'	GM0510 (124.0026)
	4 m / 12'	GM0511 (124.0031)
	5 m / 16,4'	GM0512 (124.0035)

ERGOPLUS 36



3 - 5 m
10' - 16,4'

1.6 Kg
3,53 lb
1 m
3,28'

V peak 113
Ø mm 0,6 - 1,6 mm
.023" - 1/16"
X 60% 340A CO₂
320A Mix

LINER	CODE	↔	Ⓜ
0,6 - 1,6 mm 1/16" standard	MA7446	3 m / 10'	EURO
	MA7447	4 m / 12'	EURO
	MA7448	5 m / 16,4'	EURO
	MA7490T	3 m / 10'	TWECO®
	MA7491T	4 m / 12'	TWECO®
	MA7492T	5 m / 16,4'	TWECO®
	MA7490M	3 m / 10'	MILLER®
	MA7491M	4 m / 12'	MILLER®
	MA7492M	5 m / 16,4'	MILLER®
	MA7490L	3 m / 10'	LINCOLN®
	MA7491L	4 m / 12'	LINCOLN®
	MA7492L	5 m / 16,4'	LINCOLN®



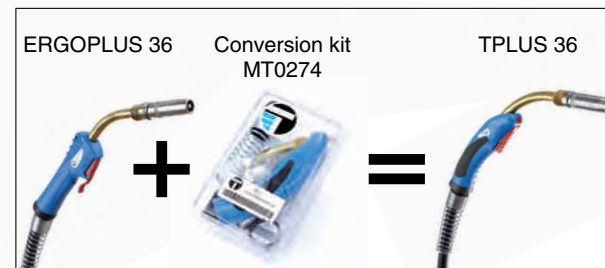
quick release - standard equipment
clockwise in - clockwise out
INTERNATIONAL PATENT

CODE	↔	Ⓜ
MA7490	3 m / 10'	5/8-18 UNF
MA7491	4 m / 12'	5/8-18 UNF
MA7492	5 m / 16,4'	5/8-18 UNF

Liner included

CODE	KIT
AR0170	Tweco® 1/4 KIT
AR0172	Lincoln® KIT
AR0173	Miller® KIT

Kit to be assembled by a qualified technician
[see page 293](#)



EN 60974-7



ME0017 (014.0261) plastic white	ME0041 (014.0021) plastic black	ME0517 (014.0023) ceramic	ME0417 -
compound high tech			
32.8	32.8	32.8	32.8
	M6 MD0063-00 (142.0005)		M6 MD0131-00 (142.0011)
28	M8 MD0064-00 (142.0020)	32	M8 MD0132-00 (142.0024)

Ø mm	Ø in	Cu	Cu-Ni	Cu for Al	CuCrZr	Triangular Cu
0,6	.023	MD0009-06 (140.0005)	MD0009-36		MD0009-76	-
0,8	.030	MD0009-08 (140.0051)	MD0009-38	MD0009-58 (141.0001)	MD0009-78 (140.0054)	MD1009-08
0,9	.035	MD0009-09 (140.0169)				
1,0	.040	MD0009-10 (140.0242)	MD0009-40	MD0009-60 (141.0006)	MD0009-80 (140.0245)	MD1009-10
1,2	.045	MD0009-12 (140.0379)	MD0009-42	MD0009-62 (141.0010)	MD0009-82 (140.0382)	MD1009-12
1,4	.052	MD0009-14	-	MD0009-44	MD0009-84	-
1,6	1/16	MD0009-16 (140.0555)	MD0009-46	MD0009-66	-	MD0009-86

Ø mm	Ø in	Cu	Cu-Ni	Cu for Al	CuCrZr	Triangular Cu	Triangular CuCrZr
0,8	.030	MD0005-08 (140.0114)	MD0005-38	MD0005-58 (141.0003)	MD0005-78	-	
0,9	.035	MD0005-09	-	MD0005-59	-		
1,0	.040	MD0005-10 (140.0313)	MD0005-40	MD0005-60 (141.0008)	MD0005-80 (140.0316)	MD1005-10	MD1005-80
1,2	.045	MD0005-12 (140.0442)	MD0005-42	MD0005-62 (141.0015)	MD0005-82 (140.0445)	MD1005-12	MD1005-82
1,4	.052	MD0005-14	-	MD0005-44	MD0005-84	-	
1,6	1/16	MD0005-16 (140.0587)	MD0005-46	MD0005-66 (141.0022)	MD0005-86 (140.0590)	MD1005-16	MD1005-86
2,0	5/64	MD0005-20 (140.0653)		MD0005-70	-	MD0005-90	-
2,4	3/32	MD0005-24 (140.0677)		MD0005-74	-	MD0005-94	-

MC0026 (145.0126)	MC0027 (145.0078)	MC0440 (145.0078) light	MC0527 quick release	MC0540 light quick Release	MC0109 -	MC0028 (145.0045)	MC0110 (145.0172)
84	84	84	84	84	84	84	90
Ø 12 1/2"	Ø 16 5/8"	Ø 16 5/8"	Ø 16 5/8"	Ø 16 5/8"	Ø 17	Ø 19 3/4"	Ø 20
2,5	2,5	2	2,5	2	2,5	2,5	2,5

STANDARD (REF.)

Wire	yellow color	Steel
1,2 + 1,6 .045" + 1/16"	3 m / 10'	GM0540 (124.0041)
	4 m / 12'	GM0541 (124.0042)
	5 m / 16,4'	GM0542 (124.0044)

