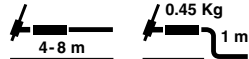


## TPRO 24



V peak	113	Argon	Ø mm	0.5 ÷ 2.4
--------	-----	-------	------	-----------

X 35%	110A DC 95A AC
-------	-------------------

CODE	↔	↔	⚡
HP2407-00	4 m	dual	TSK 50 - 1/4 G
HP2807-00	8 m	dual	TSK 50 - 1/4 G
HP7407-00	4 m	multi	TSK 50 - 1/4 G
HP7807-00	8 m	multi	TSK 50 - 1/4 G
HQ2407-00	4 m	dual flex	TSK 50 - 1/4 G
HQ2807-00	8 m	dual flex	TSK 50 - 1/4 G
HQ7407-00	4 m	multi flex	TSK 50 - 1/4 G
HQ7807-00	8 m	multi flex	TSK 50 - 1/4 G



MULTI



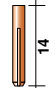
HI-FLEX

- IT** Disponibile con impugnatura ERGOTIG
- EN** Available with ERGOTIG handle
- DE** Lieferbar mit ERGOTIG handel
- FR** Disponible avec poignée ERGOTIG
- ES** Disponible con mango ERGOTIG
- TR** ERGOTIG kabza ile uyumludur
- RU** доступно для рукояток ERGOTIG



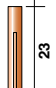
TSK 50-1/4G

Standard



Ø mm	Ø in	CODE	REF
0,5	.020	TD0004-05	53N15
1,0	.040	TD0004-10	53N16
1,6	1/16	TD0004-16	53N14
2,4	3/32	TD0004-24	24C332

TQ0004

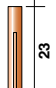


Ø mm	Ø in	CODE	REF
0,5	.020	TE0004-05	53N17
1,0	.040	TE0004-10	53N18
1,6	1/16	TE0004-16	53N19
2,4	3/32	TE0004-24	24CB332

TC0021	TC0022	TC0023
53N23	53N24	53N25
Ø 4	Ø 6.4	Ø 8


TC0024	TC0027	TC0028
53N27	53N28	53N26
Ø 9.8	Ø 6.4	Ø 9.8

Gas Lens



Ø mm	Ø in	CODE	REF
0,5	.020	TD0005-05	53N62
1,0	.040	TD0005-10	53N63
1,6	1/16	TD0005-16	53N64
2,4	3/32	TD0005-24	24GLC332

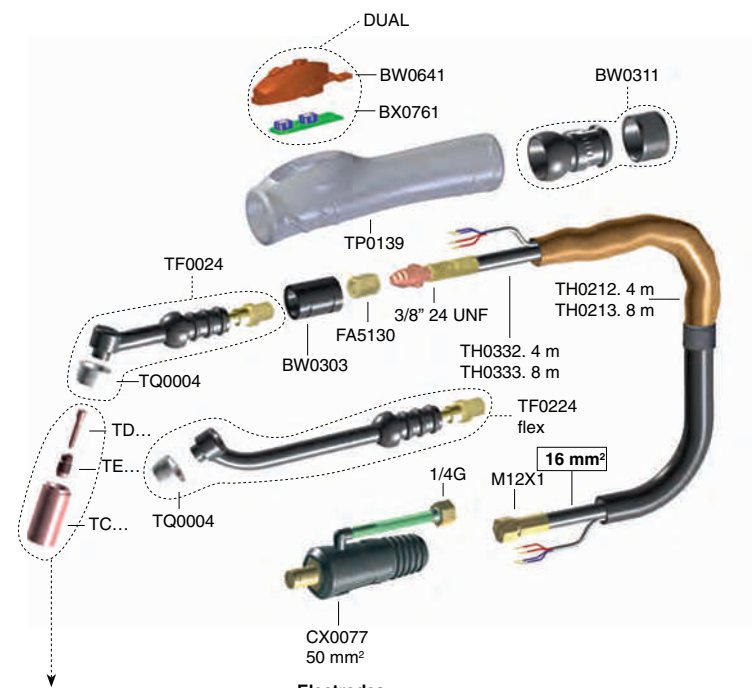
TQ0024



Ø mm	Ø in	CODE	REF
0,5	.020	TE0005-05	45V41
1,0	.040	TE0005-10	45V42
1,6	1/16	TE0005-16	45V43
2,4	3/32	TE0005-24	45V44
3,2	1/8	TE0005-32	45V45

TC0041	TC0042	TC0043
53N58	53N52	53N60
Ø 6.4	Ø 8	Ø 9.8

TC0044	TC0045
53N61	53N61S
Ø 11.2	Ø 12.7



**Spare parts kit not included**

**Electrodes**

- 1 pc. tungsten electrode turquoise
- 1 pc. collet body
- 1 pc. collet
- 1 pc. ceramic nozzle

**MULTI**

- BW0642
- BW0645
- BX0763